

YOUR AUTHORIZED CONTINENTAL DEALER



DIRECT VENT GAS STOVE  
**CDVS500**  
DIRECT VENT GAS STOVE

**CONTINENTAL**

P: 1-866-820-8686  
continentalcomfort.com



Consult your owner's manual for complete installation instructions, accurate framing dimensions and proper clearances to combustibile material. Check all local and national building codes. All specifications are subject to change without prior notice due to on-going product improvements. Products may not be exactly as shown

Build Quality, Build Confidence.  
continentalcomfort.com



**CONTINENTAL**



# CDVS500

## Realistic Appearance

Hand-painted and realistic logs for a traditional hand-built fire appearance

## Triple Burner System

"Turbo boosts" the heating power to increase the already impressive 30,000 BTU's to 44,000 BTU's and provides a wood fire effect that delivers the benefit of a heat activated variable speed blower system

## Electronic Ignition

Fuel-saving electronic ignition with battery back-up so you can stay problem-free when power-free

## FEATURES

- 357 sq. in. viewing area
- 100% SAFE GUARD™ automatic gas shut off for your peace of mind
- Includes heat activated variable speed blower
- Easy clean hinged door
- Exclusive PHAZER™ log set with traditional glowing charcoal embers
- Metallic black accent bar, ornamental inset and trivet are standard features
- Door available in metallic black or satin chrome plated finishes
- Optional remote
- Optional Natural Draft Adapter Kit allowing installation into existing chimneys



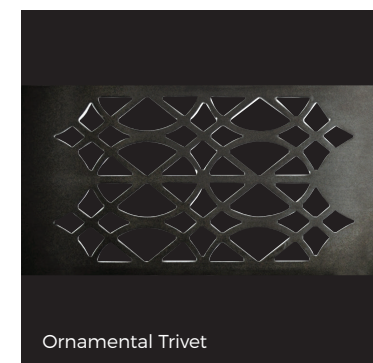
## MEDIA OPTIONS



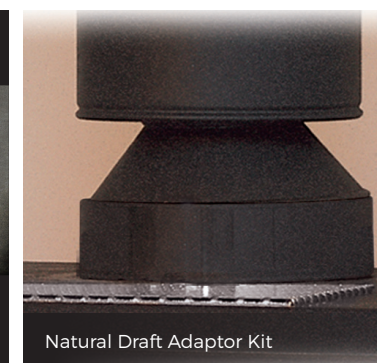
Black Door & Accent Bar



Satin Chrome Accent Bar



Ornamental Trivet



Natural Draft Adaptor Kit

## SPECIFICATIONS

CDVS500

BTU's (Input)	44,000*
Venting	Top** 4" / 7"
Glass Type	Ceramic
Mobile Home Certified	Yes

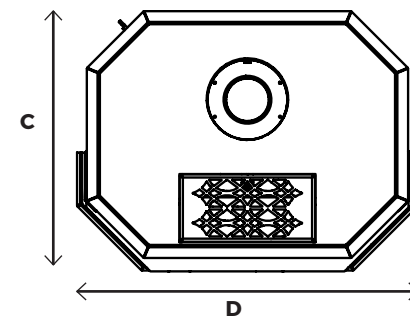
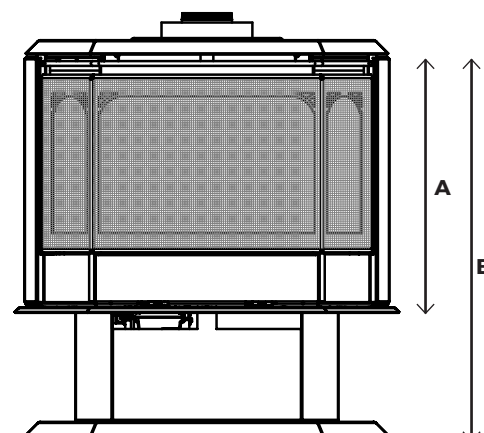
### MAXIMUM CLEARANCES

Corner	1"
Rear	2"
Side	7"

### GLASS VIEWING AREA

Height	13 3/4"
Width	25 3/4"

OVERALL UNIT			
A	B	C	D
21"	30 3/4"	28 1/4"	21 3/4"



\*\*Finishing flange depth (The finishing flange defines the perimeter of the fireplace opening). Framing or finishing materials must NEVER encroach inside the finishing flange.

\*40,000 BTU when converted to propane.